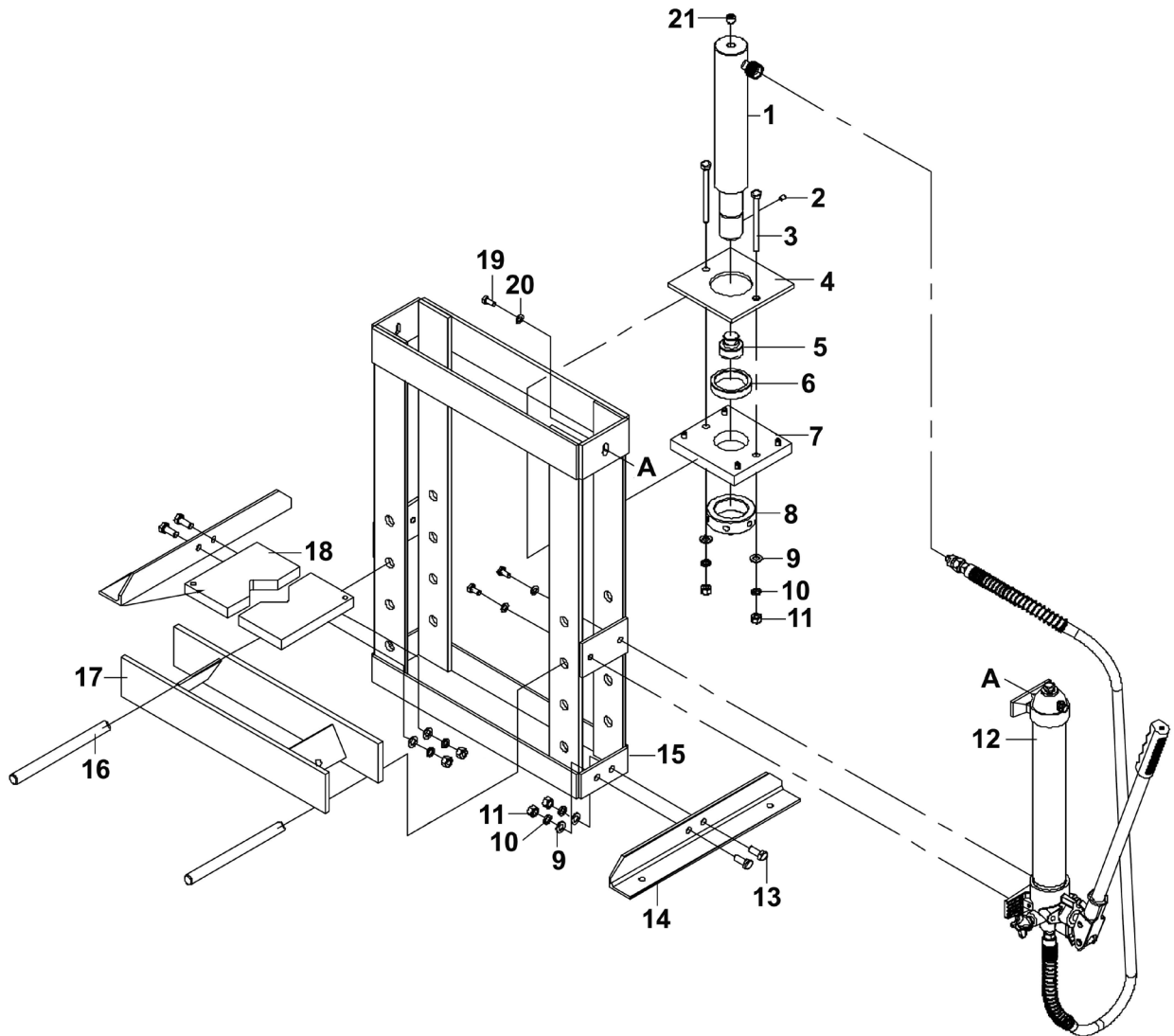




Parts Information:  
**Hydraulic Press 10tonne Bench Type  
 without Gauge**  
**Model No: YK10BLG.V3**



Item	Part No.	Description
1	YK10BLG.V3-01	Ram Ass'y
2	YK10BLG.V3-02	Screw / Screw
3	HHB10110.S	Hex Head Bolt M10 x 110mm
4	YK10BLG.V3-04	Ram Support Plate (Upper)
5	YK10BLG.V3-05	Serrated Saddle
6	YK10BLG.V3-06	Ring Nut
7	YK10BLG.V3-07	Ram Support Plate (Lower)
8	YK10BLG.V3-08	Straight Adaptor
9	FWM10.S	Flat Washer M10 Zinc
10	SWM10.S	Spring Washer M10 Zinc
11	SN10.S	Steel Nut M10 Zinc
12	YK10BLG.V3-12	Pump Assembly

Item	Part No.	Description
13	SS1025.S	Hex Head Set Screw M10 X 25 Zinc
14	YK10BLG.V3-14	Base Support
15	YK10BLG.V3-15	Frame
16	YK10BLG.V3-16	Pin, Table Support 220x18mm
17	YK10BLG.V3-17	Table
18	YK10BLG.V3-18	Arbor Plate (170x100x20)
19	SS816.S	Hex Head Set Screw M8 X 16 Zi
20	FWM10.S	Flat Washer M10 Zinc
21	YK10BLG.V3-21	Top Connection Nut
--	YK10BLG.V3-RK	Repair Kit (Not Shown)
--	RE97.10-03	Hose Assembly (Not Shown)

**NOTE:** It is our policy to continually improve products and as such we reserve the right to alter data, specifications and component parts without prior notice. There may be alternative versions of this product, please contact us should you require this information.

**IMPORTANT:** No liability is accepted for incorrect use of product. Spare parts must be fitted by a competent person

**WARRANTY:** Guarantee is 12 months from purchase date, proof of which will be required for any claim.

**Sealey Group**, Kempson Way, Suffolk Business Park, Bury St Edmunds, Suffolk. IP32 7AR



01284 757500



01284 703534



sales@sealey.co.uk



www.sealey.co.uk